

Keystone module

USB-A 5V 2A charger

2804-1 (BLACK)

2804-2 (WHITE)

■ OVERVIEW

The Keystone module has a mounting standard for snapping into holes compliant with the Keystone standard, e.g., in adapters, faceplates, various housings, etc. This Keystone module USB charger is equipped with one USB Type A port and is intended to charge various types of electronic devices, such as smartphones, etc.

Note: Always check the compliance of the USB charger with the charging parameters of the given device.

■ SHORT TECHNICAL SPECIFICATIONS

Number of USB ports	1 x USB-A
Nominal input voltage	AC 110–240 V 50/60 Hz
Nominal input current	0,3 A max.
Nominal output voltage	DC 5 V
Nominal output current	2 A
Output power	10 W max.
Average active efficiency	80%
Ingress protection code	IP 20
OVP Protection	yes
OCP Protection	yes
SCP Protection	yes
OTP Protection	yes
Dimensions	28,3 x 22 x 39,1 mm
Weight	0,02 kg
Country of origin	China



The device has the following markings printed on it:



For a full specification visit solve.com.pl

■ WARRANTY

Warranty is granted for a period of 12 months from the date of purchase. The warranty does not cover defects resulting from unauthorized repairs, improper use, connection, or mishandling of the product.

■ NOTES AND WARNINGS

Attention! Please read and follow the following warnings and installation instructions carefully. Failure to comply with the following warnings and installation instructions may void your warranty claims.

SECURITY WARNINGS!



There is a risk of loss of health and life (danger of fire or electric shock).

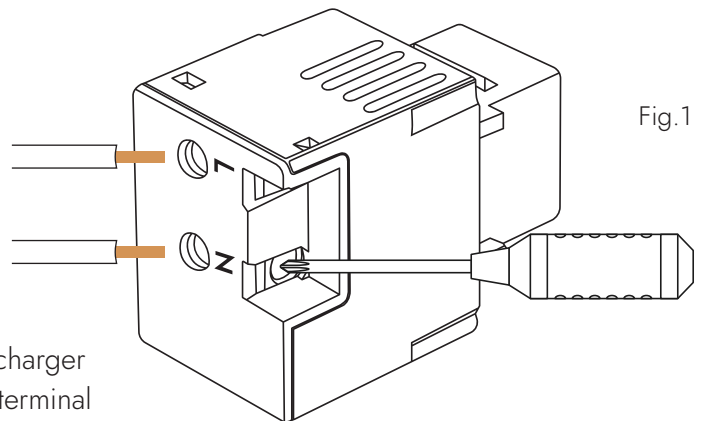
The product is intended for INDOOR USE ONLY and is designed for assembly in various housings such as a mounting box for example. Installation must be done by a person with sufficient qualifications, with the power supply disconnected and in compliance with the requirements of the electrical system into which it is being installed. It must also comply with national safety standards.

Do not connect the output of this device to other power supply outputs. Do not use this product for purposes other than for which it was intended. Do not modify, supplement or make changes to this device, or install components in it that are not part of the accessories provided by the manufacturer or seller.

■ INSTALLATION INSTRUCTIONS

Connecting the USB charger to the electrical installation should be done as shown in the drawing (see figure 1). An improper connection may damage the USB charger or cause it to work incorrectly. Check the electrical circuit carefully before proceeding with installation. After that turn off the power supply and follow these steps:

1. Connect the wires to the terminal block of the USB charger module, respectively to the phase wire under the L terminal and the neutral wire under the N terminal. Use a screwdriver to securely fasten the wires to the screw clamps.
2. Insert the USB charger equipped with wires, eg., into a mounting box.
3. Before connecting a device for charging, check the compatibility of the USB charger with the charging parameters of the given device. Restore power supply and perform a functional test by connecting the USB cable to the USB port of the charger and the given device. The charging process will start automatically.



L – screw clamps for the phase wire
N – screw clamps for the neutral wire

■ MANUFACTURER INFORMATION

SOLVE Janusz Witwicki

ul. Jana 3, 43-100 Tychy, Poland

tel. +48322270516 | solve@solve.com.pl | solve.com.pl